

Gold Standard Brushless Loader

GSL Series: 12 and 19 lb. (5.4 and 8.6 kg.) Capacity Based on PC Pellets @ 38 lb/ft³

The GSL Series Loader* with standard brushless motor, pendant control and pivot access, boasts a 5-Year Warranty...

As brushes wear, the commutator wears creating an increasing gap where dust contamination and motor failure occurs. These factors cause brushes to wear down faster and faster with each change, leading to added maintenance and downtime.

Motor manufacturers recommend discarding vacuum loader motors after three brush sets.



GSL-12 and -19

Maintenance-free Brushless Motors Last 4 Times As Long As Motors With Brushes

Long-life motor and no brush changes eliminate maintenance and downtime.

Double Pivot Access

Loader operates in upright position then pivots and locks in place for easy access.

Full-featured, Standard Plug-In Pendant Control

Full-featured control is mounted on loader. A 12' cable (standard) puts control at your fingertips, so changing loader parameters is easy.

Patent Pending MicroBurst Keeps Filters Clean

High intensity MicroBurst blowback air, blasts the whole filter area to remove dust and fines ensuring that the dump throat is clear for proper sealing.

SureSeal Flapper Valve Avoids Loading Failures

Reliable SS seal surfaces stay aligned and resist wear, while MicroBurst air blast removes residual dust for a tight seal.



GSL-19
Open

*Patent # 8,753,432

Plus:

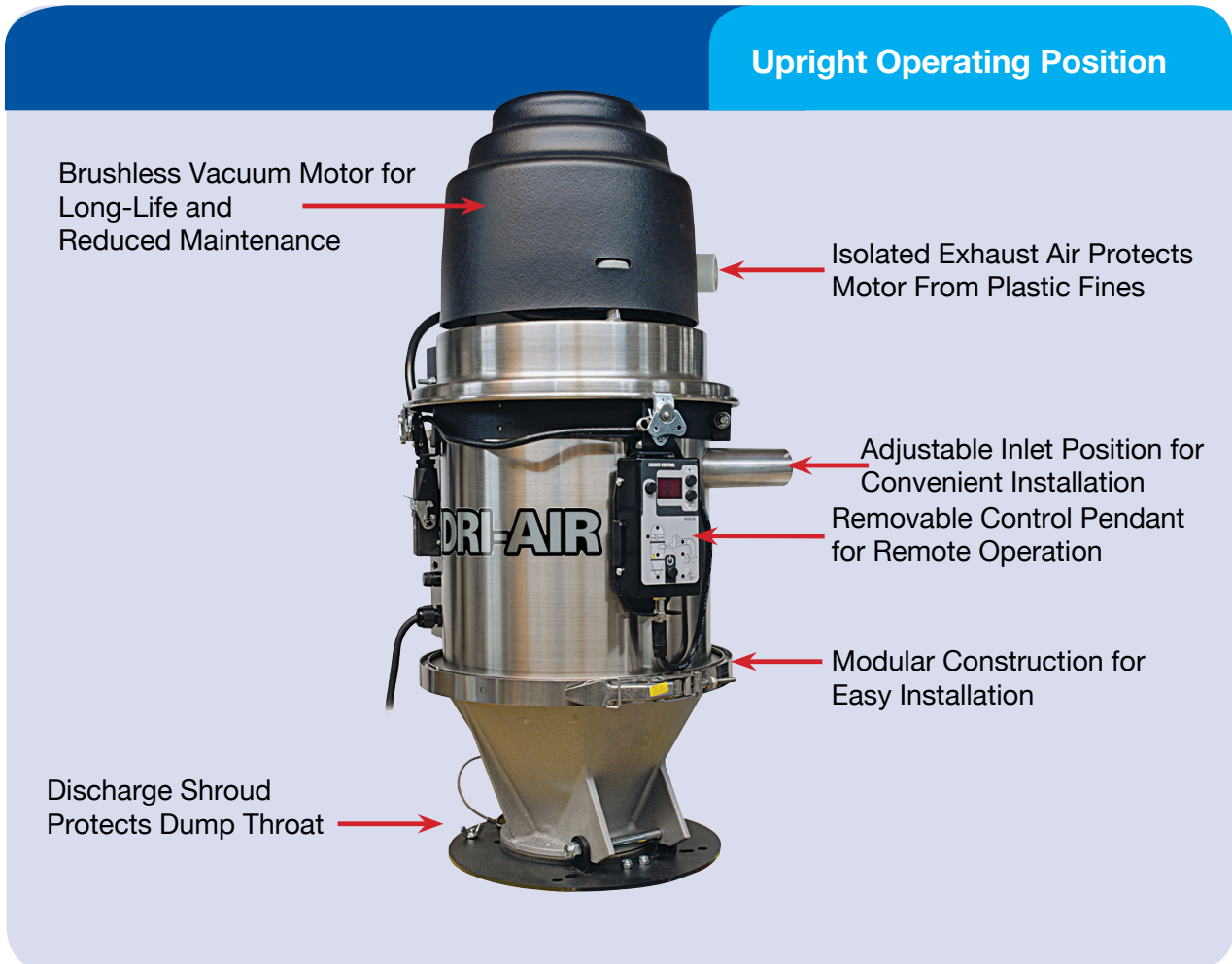
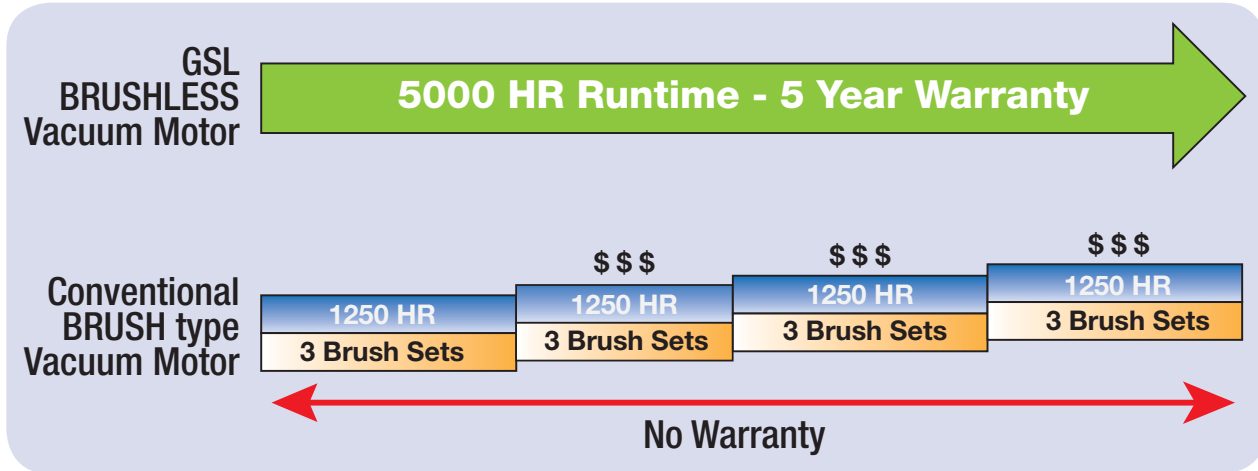
- 115V/1ph/50-60 Hz operation
- 15 ft. (4.6 m) length of flex hose, lance and hose clamps
- Dual reinforced polyester disc filter media
- All material contact points are non-ferrous
- Dump Valve with integrated demand level switch on standard models
- Conveying rate up to 1000 lb./hr.
- 5-Year warranty

DRI-AIR[®]
Industries, Inc.

 PROUDLY MADE IN THE USA

Application

Brushless Vacuum Motor Lasts 4X Longer with No Brush Changes!



Specifications:

Model	Capacity*	Inlet O.D.	Motor amps/hp	Discharge Diameter	A	B	C	D
GSL-19	19 lb.	1.5	14/1.3	3	37.11	31.01	14.76	19.58
GSL-12	12 lb.	1.5	14/1.3	3	33.24	28.88	14.76	17.57

*Based on PC pellets @ 38 lb./ft³

**Pivoting and opening top requires 6" (15.2 cm) for clearance on GSL-19.

† Recommended throughput: GSL-19 = up to 1000 lb./hr. (450 kg/hr) GSL-12 = up to 650 lb./hr. (295 kg/hr)

‡ Recommended throughput/hr. based on free flowing virgin pellets through 15' of flex hose.

Exceeding recommended throughputs may result in shortened motor and filter life however, increased throughputs are possible depending on resin and equivalent feet calculation.

Generally, a central conveying system should be used for higher throughputs.

Maximum conveying distance in addition to 15' hose, can include 30' of horizontal tubing and 1 elbow. Additional vertical travel, bends or flex hose will reduce recommended throughput.

Accessories:

(Show as separate line item on order - See price list #302.)

Replacement Plug-N-Play Control Pendant with 12 ft. cable:

(One included with each GSL)

Replacement 12 ft. cable

External Proportioning Valve:

(Includes coupler, wand, hose and clamps.) 1.5" and 2.0" O.D.

Level Switch, Capacitance, 30mm dia., 2m cable

Capacitance Level Switch

in lieu of Photo-eye Sensor (for GSL-MM models)

Options:

2" Inlet: (in lieu of 1.5")

Extended Wear Package: Recommended when loading abrasive materials - contact factory

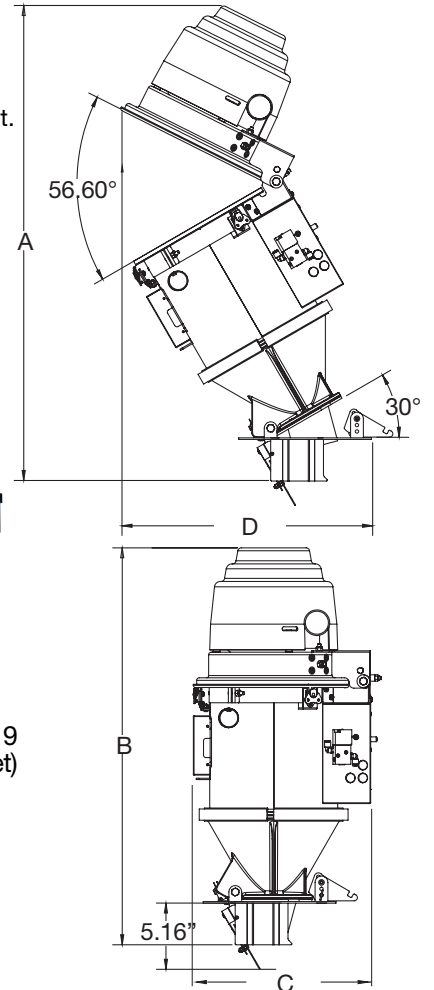
Alternate Glass Size: 12 lb. Glass (Adds 4" to Height) or 16 lb. Glass (Adds 7" to Height)

Retro-fit Kit to convert GSL-19 into GSL-19-MM:

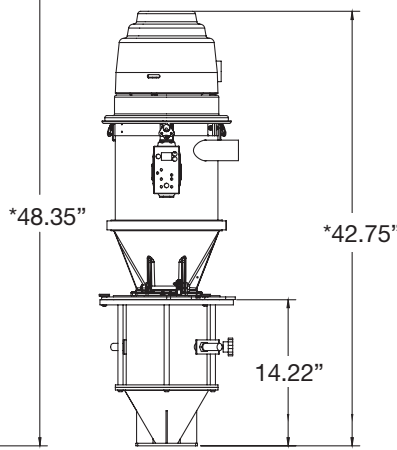
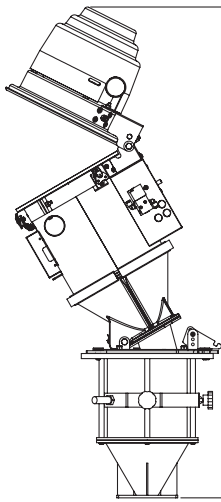
Kit includes glass, twist-lock plug and photo-eye



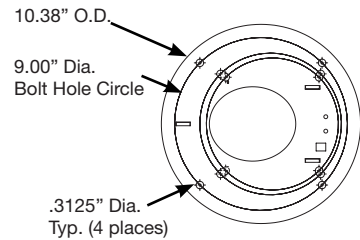
GSL-19 mounted on machine hopper MHA-19 (See separate data sheet)



GSL-19 & -12MM
Flange Dimensions
6" x 6"



GSL-19-MM Dimensions
*Deduct 4" for GSL-12-MM



Mounting Flexibility

Standard mounting hole pattern plus adapter ring allows GSL to replace most competitive models.

Machine Mount Models includes 8 lb. JIT Glass Hopper with height adjustable photo eye demand switch.